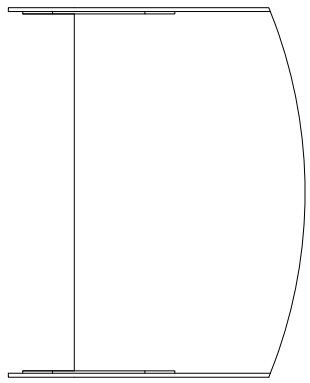
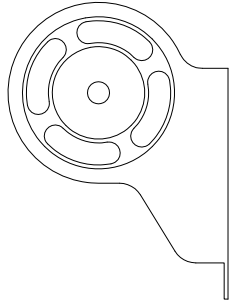
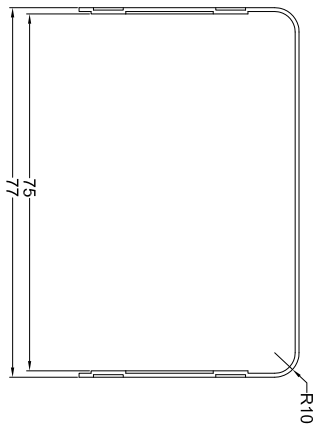
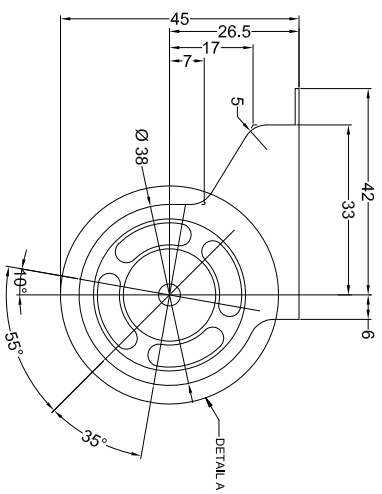
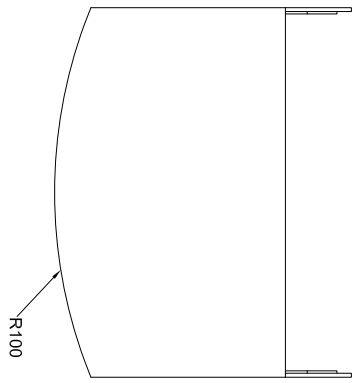
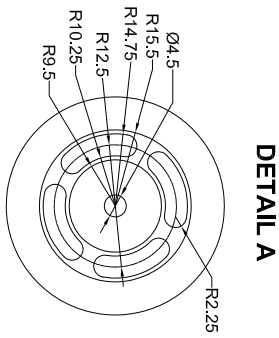


Revno	Revision note	Date	Signature	Checked
1	DIMENSIONS CORRECTED IN DRAWING.	20/04/2010	DK	BC



- NOTES:
1. DIMENSIONS IN MM.
 2. FINISH: BLACK
 3. MATERIAL: SUS-304 0.8T

PROPRIETARY NOTICE
 THIS DESIGN AND TECHNICAL INFORMATION APPEARING ON THIS DRAWING IS THE PROPERTY OF BRIGADE ELECTRONICS PLC AND IS DISCLOSED IN CONFIDENCE. IT IS NOT TO BE COPIED, REPRODUCED, REVEALED TO OR APPROPRIATE BY OTHERS, EITHER IN WHOLE OR IN PART WITHOUT THE EXPRESS WRITTEN CONSENT OF BRIGADE ELECTRONICS PLC.

ASSEMBLY PLANT REF: 4DBSERC72B

Header	Quantity	Title/Name, designation, material, etc	Article No./Reference
Designed by M.BUTLER	Checked by S.CHILDS	Approved by D.KEM	Date 15/04/10
Scale		M/A	

BRIGADE ELECTRONICS

BE-89XC/BE-X0XC-SS (#3245)

BE-000045-01-10

Edition A

Sheet 1/1